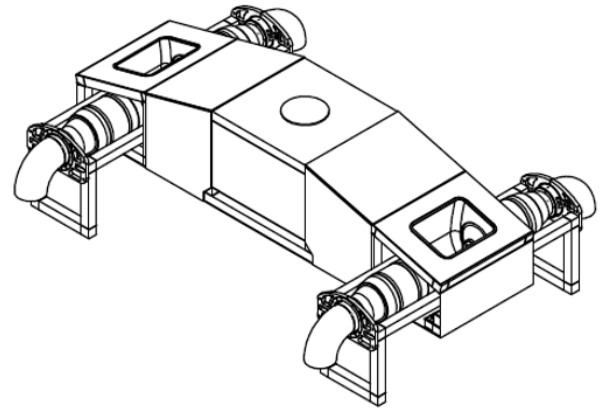




FUSIONFLIGHT

AB6 JetQuad VTOL UAS



Vehicle Dimensions

Width..... 0.93m (37in)
 Length..... 1.2m (47in)
 Height..... 0.39m (15in)
 Ground Clearance..... 0.12m (5in)

Mass

Maximum Takeoff Mass..... 60kg (132lb)
 Dry Mass..... 24kg (52lb)
 Fuel Mass..... 18 kg (40lb)
 Payload (Max)..... 18 kg (40lb)

Capabilities

- Single Point Hover
- High-speed Forward/Reverse Cruise
- Instant vertical ascent and descent
- All Terrain Take-off and Landing
- Weather Resilience
- Fully Customizable Platform

Flight Performance

Cruise Speed.....110 m/s (246mph)
 Cruise Altitude (FAA)..... 120m (400ft)
 Vertical Ascent..... 30m/s (67mph)
 Hover Time..... 30min
 Flight Time..... 17min
 Range (One-way)..... 100 km (62mi)

Propulsion

Type: 4x Microturbine Jet-Engine
 Fuel Type: Heavy (Diesel/Jet-A/Kerosene)
 Control: 4x Thrust Vectoring System (TVS)
 Fuel Tank..... 20L (5Gal)
 Power Output (Max)..... 150kW (200HP)
 Maintenance Interval..... 25Hrs
 Start-up Time..... 1min

Turn-Key Solution Cost

\$100,000 USD (Excludes Shipping)

Control Station

- Shoulder Strap Combination Unit
- Long-Range Transmitter (Control)
- 8" Tablet (Telemetry / Mission Planning)
- Mass..... 1.2kg (2.6lb)
- Shipped in Leather Case
- Dimensions
 - Length..... 0.32m (13in)
 - Width..... 0.23 m (9in)
 - Height..... 0.1m (4in)

Payload Specifications

- Allowed Mass (Max)..... 18 kg (40lb)
- 2X Internal Bays (Forward and Aft)
- Internal Bay (Protected)
 - Volume..... 6L (366in³)
 - Length..... 0.2m (8in)
 - Width..... 0.3m (12in)
 - Height..... 0.1m (4in)
- External Bay (Exposed - Undercarriage)
 - Volume..... 36L (2256in³)
 - Length..... 1.2m (47in)
 - Width..... 0.3m (12in)
 - Height..... 0.1m (4in)
- Onboard Power Supply..... 360W
- Voltage/Current.....12V/30A
- Nose and Tail Mount Options

Links

Uplink/Control..... 2.4GHz
 Downlink/Telemetry..... 980MHz

Transportation

- Reinforced Hardwood Crate
 - Width..... 1m (40in)
 - Length..... 1.27m (50in)
 - Height..... 0.46m (20in)