

## SPECIFICATION SHEET

# ARC

**9kW Power Output**

**Compact and Lightweight  
Microturbine Generator**



### SPECIFICATIONS

---

CAPABILITIES	All-In-One Design State-of-the-art Power Supply Modular and Stackable High-Altitude Operation
--------------	--

---

MASS PROPERTIES	Unit Mass: 5kg
-----------------	----------------

---

PERFORMANCE	Power Output: 8.5kW Adjustable DC Output: 48VDC – 80VDC Current Rating: 180A @ 48VDC Turbine RPM (max): 130,000 Generator RPM (max): 8000
-------------	---

---

PRIME MOVER	1X Microturbine Start-up time: 40sec Fuel Type: Heavy (+5% Turbo Oil) Fuel Consumption (max): 350mL/min Maintenance Interval: 25hrs Maximum Exhaust Temperature: 730C
-------------	--

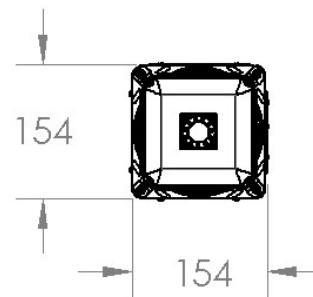
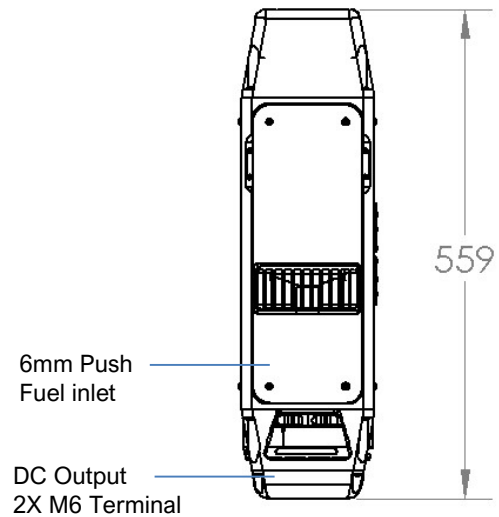
---

CONTROL	PWM Input: 800us-2200us
---------	-------------------------

---

PACKAGE INCLUDES	1x ARC Generator 1x Throttle Controller 1x Turbine Diagnostics Display 1x Generator Diagnostics Display 1x Manual
------------------	---

---



*All Dimensions in mm.*

CONTACT US FOR PRICING.



[info@fusionflight.com](mailto:info@fusionflight.com)  
Copyright 2021 FusionFlight. All Rights Reserved.

