

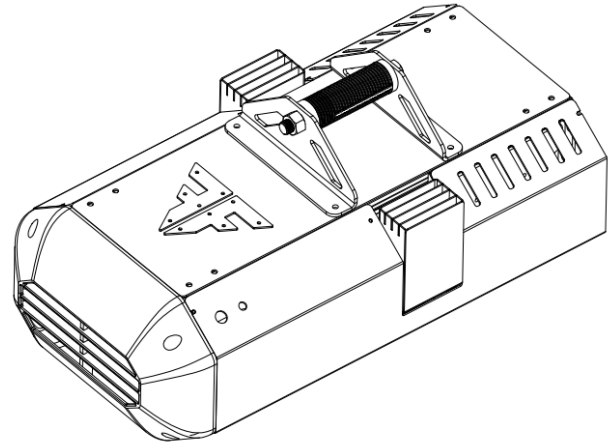
# SPECIFICATION SHEET



## 8kW Power Output

### Portable Turbogenerator

July 26, 2022



#### SPECIFICATIONS

**CAPABILITIES** All-In-One Rugged Design  
Adjustable Output (25VDC – 85VDC)  
Ready out of the Box  
Auto Start / Auto Cooling  
Flexible Mounting Options

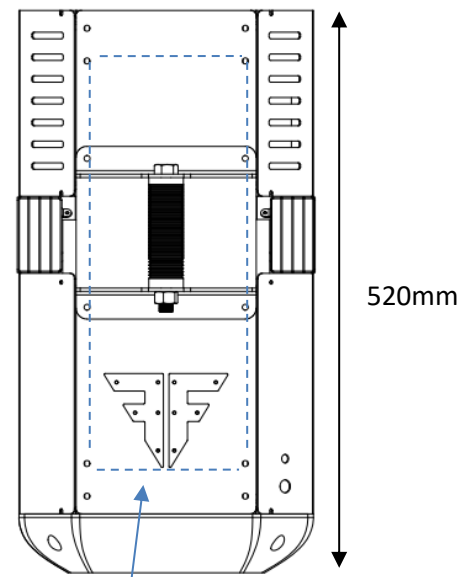
**MASS PROPERTIES** Unit Mass: 9kg

**PERFORMANCE** Power (max): 7.4 kW @ 48VDC  
Current Handling (max): 155A  
Turbine RPM (max): 130,000  
Alternator RPM (max): 10,000

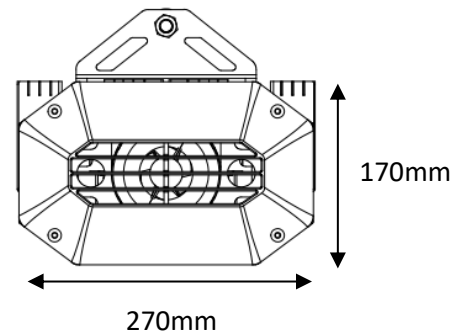
**PRIME MOVER** 1X Microturbine  
Start-up time: 20sec  
Fuel Type: Heavy (Kerosene/Diesel/Jet-A)  
Fuel Mix: 5% Turbo Oil (Required)  
Fuel Flowrate (max): 350mL/min  
Maintenance Interval: 25-50Hrs  
Sound Level (source): 100dB

**INTERFACES** Fuel Supply: 6mm Push  
Fuel Return: 6mm Push  
Electrical Load: 2x M6 Ring Terminal  
Structural: 4x M6 Vibration Isolators  
Control: Wired Remote (PWM)

**ACCESSORIES (INCLUDED)** Carrying Handle  
Armored Case  
AC Charger



M6 Mount Hole Pattern (145mm X 370mm)  
identical on top and bottom of unit



CONTACT US FOR PRICING AND INFORMATION ON CUSTOM SOLUTIONS.



info@fusionflight.com

