

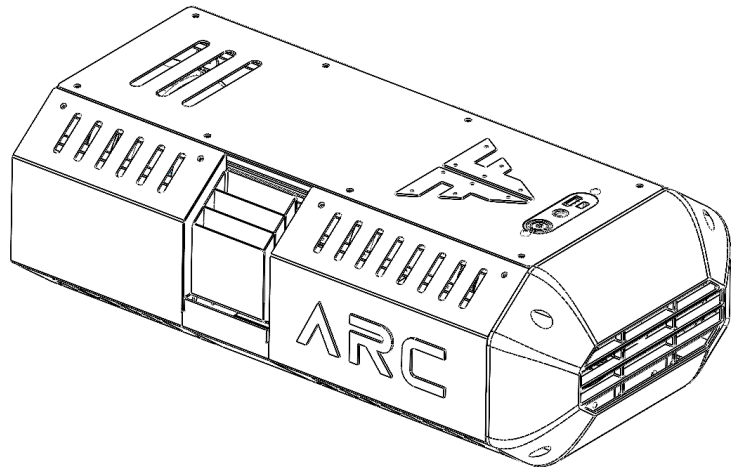
SPECIFICATION SHEET

ARC

8kW Power Output

Portable Turbogenerator

October 28, 2022



SPECIFICATIONS

CAPABILITIES All-In-One Design
Adjustable Output (25VDC – 85VDC)
Ready out of the Box
Auto Start / Auto Cooling
Flexible Mounting Options

MASS PROPERTIES Unit Mass: 9.4kg

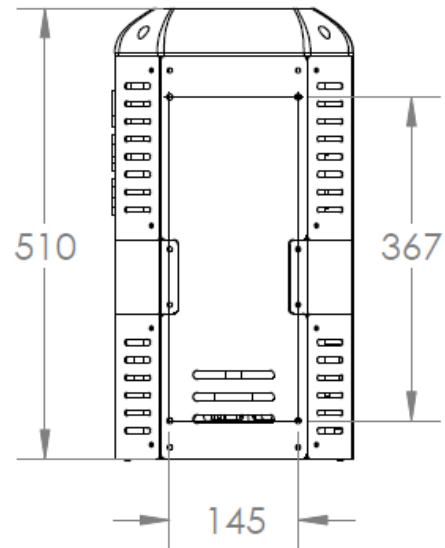
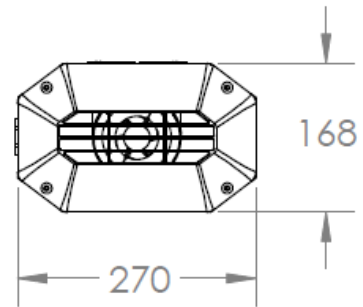
PERFORMANCE Power (max): 7.4 kW @ 48VDC
Current Handling (max): 155A
Turbine RPM (max): 130,000
Alternator RPM (max): 10,000

PRIME MOVER 1X Two-Stage Microturbine
Start-up time: 20sec
Fuel Type: Heavy (Kerosene/Diesel/Jet-A)
Fuel Mix (Recommended): 5% Turbo Oil
Fuel Flowrate (max): 350mL/min
Maintenance Interval (80% Throttle): 50Hrs
Noise Level (source): 100dB

INTERFACES Supply/Return Tubing: 6mm
Electrical Load: 2x M6 Terminals
Structural: 4x M6 Mount Points
Control: Bluetooth App / Wired

ACCESSORIES (INCLUDED) Carrying Handle
Armored Case
Wired Remote Control
AC Charger
6mm Fuel Tubing
4x M6 Vibration Isolators

DIMENSIONS (mm)



Mounting Pattern
(145 x 367)



info@fusionflight.com

