

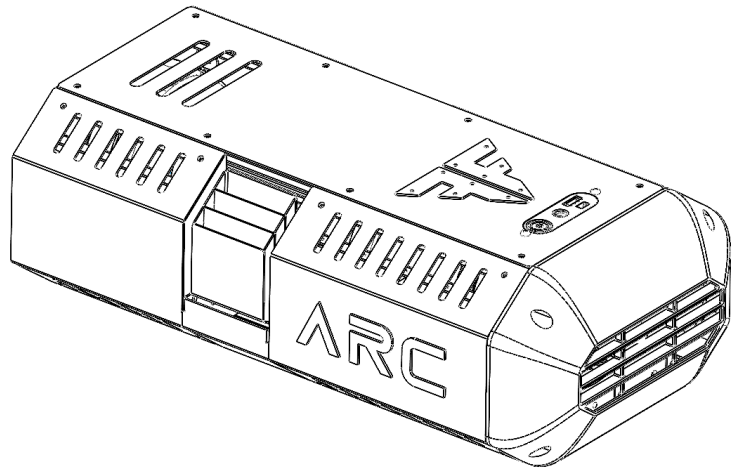
# SPECIFICATION SHEET

# ARC

## 8kW Power Output

### Micro Turbogenerator

July 2, 2023



## SPECIFICATIONS

**FEATURES**

- Brushless Starter / Brushless Alternator
- Adjustable Output (25VDC – 85VDC)
- Ready-to-use out of the Box
- Auto Start / Auto Cooling
- Built-in start-up battery (LiFePO4)
- Flexible Mounting Options

**MASS PROPERTIES** Unit Mass: 10kg

**PERFORMANCE**

- Power (max): 8.0 kW @ 55VDC
- Current Handling (max): 155A
- Turbine RPM (max): 130,000
- Alternator RPM (max): 10,000

**PRIME MOVER**

- 1X Microturbine Jet Engine
- Start-up time: 30sec
- Fuel Type: Heavy (Kerosene/Diesel/Jet-A)
- Lubrication (mixed with fuel): 5% Turbo Oil
- Fuel Flowrate (max): 350mL/min
- Maintenance Interval (80% Throttle): 50Hrs
- Noise Level (source): 100dB

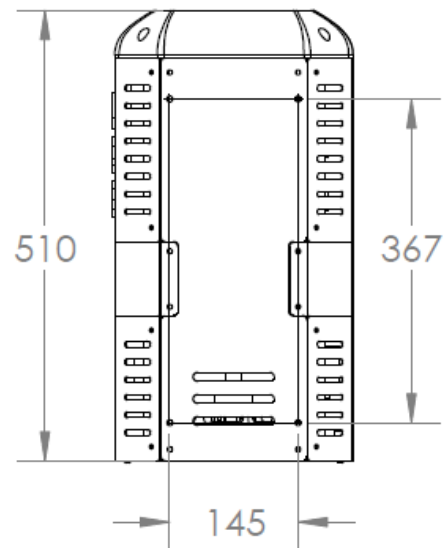
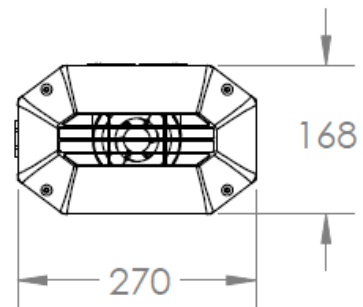
**INTERFACES**

- Supply/Return Tubing: 6mm
- Electrical Load: 2x M6 Terminals
- Structural: 4x M6 Mount Points
- Control: Bluetooth App / Wired

**INCLUDED IN KIT**

- 1x Carrying Handle
- 1x Armored Case
- 1x Wired Remote Control
- 1x AC Charger
- 1x Roll of 6mm Fuel Tubing
- 1x Manual

## DIMENSIONS (mm)



Mounting Pattern  
(145 x 367)

