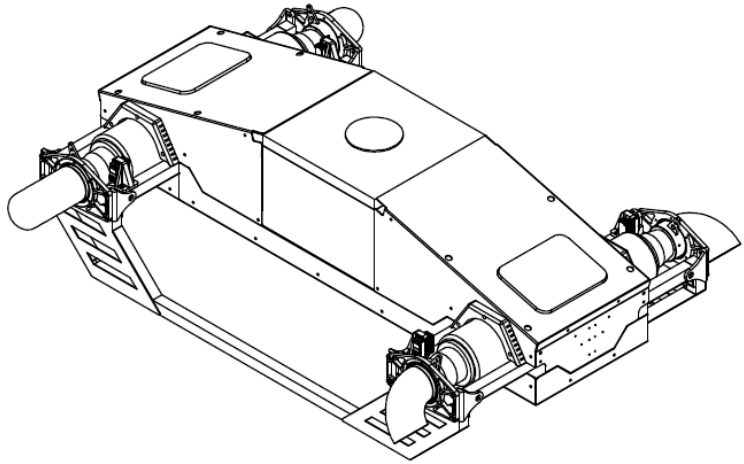


SPECIFICATION SHEET

JETQUAD

MODEL AB6 – 840N THRUST

Jet-Powered VTOL UAS
Heavy-Fuel Platform
January 1, 2024



SPECIFICATIONS

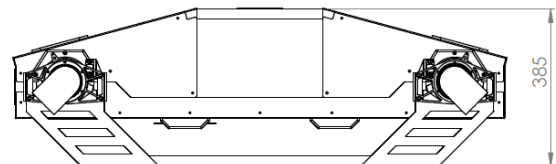
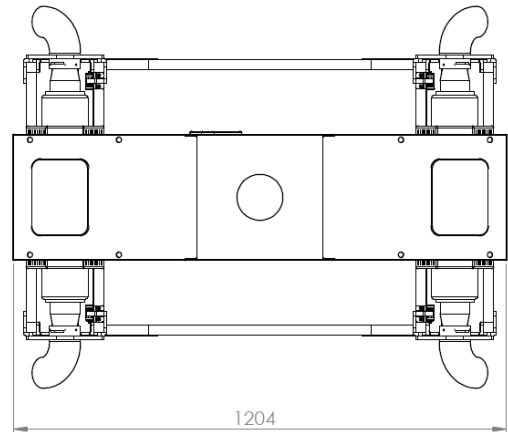
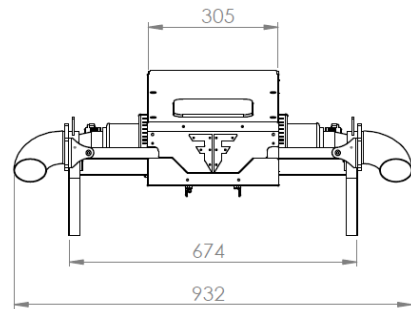
CAPABILITIES Precision Point Hover
High-Speed Cruise
Vertical Take-off and Landing
All-Weather / All-Terrain

MASS PROPERTIES Maximum Take-off Mass: 60kg
Dry Mass: 24kg
Fuel Mass: 20kg
Payload Mass: 16kg

PERFORMANCE Cruise Velocity: 110m/s
Ascent Velocity (max): 30m/s
Altitude (max): 10km
Range (max - requires satcom upgrade): 100km
Endurance (cruise): 15-min

PROPULSION 4X 210N Microturbine Jet-Engine
4X Thrust Vectoring Systems
Start-up time: 30sec
Fuel Type: Heavy (Kerosene/Diesel/Jet-A)
Fuel Mix (Recommended): 5% Turbo Oil
Maintenance Interval (80% Throttle): 50Hrs
Noise Level (source): 100dB

BASE KIT INCLUDES 1x AB6 JetQuad (20L fuel tank)
1x 30km Range Remote Control
1x 30km Range Telemetry Tablet
1x Quad Engine Diagnostic Display
1x Manual



All Dimensions in mm.

CONTACT US FOR CUSTOM PAYLOAD MOUNTING OPTIONS AND OTHER UPGRADES.



info@fusionflight.com

Copyright 2024 FusionFlight. All Rights Reserved.

