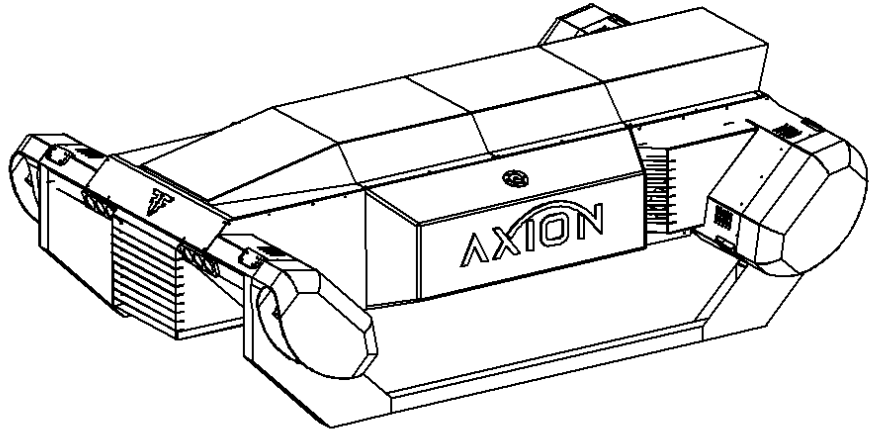


SPECIFICATION SHEET



MODEL: AB8 BASE
Multi-Purpose Aerial Platform
February 18, 2024



SPECIFICATIONS

CAPABILITIES

Precision Point Hover
High-Speed Cruise
Vertical Take-off and Landing
All-Weather / High-Altitude

MASS PROPERTIES (nominal)

Take-off Mass (max): 230kg
Dry Mass: 70kg
Fuel Mass: 80kg
Payload Mass: 80kg

PERFORMANCE

Thrust (max): 3600N
Cruise Velocity (max): 100m/s
Ascent Velocity (max): 30m/s
Altitude (max): 8km
Range (max - requires satcom upgrade): 90km
Endurance (cruise): 15-min

PROPULSION

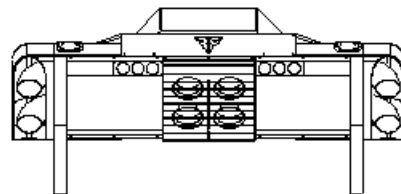
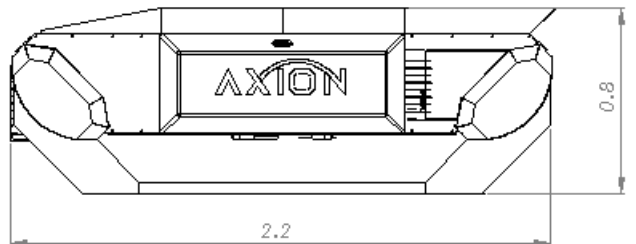
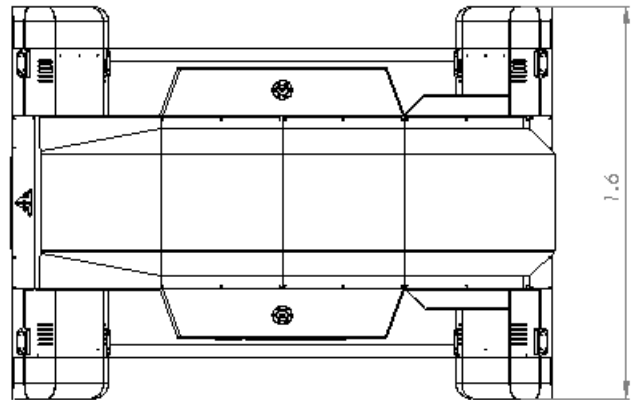
8X 450N Microturbine Jet-Engine
8X Thrust Vectoring Systems
Start-up time: 10sec
Fuel Type: Heavy (Kerosene/Diesel/Jet-A)
Fuel Mix (Recommended): 5% Turbo Oil
Maintenance Interval: 50Hrs

AXION BASE KIT

1x AB8 Axion (2x 60L fuel tank)
1x 50km Range Remote Control
1x 50km Range Telemetry Tablet
1x Octo Engine Diagnostic Display
1x Manual

PLATFORM UPGRADES

Single-Person F1-Style "Racer"
Single-Person Medevac "Air-Stretcher"
Custom Cargo Drone



All Dimensions in meters.

