

# SPECIFICATION SHEET

# AMP

## Smart Control Valve

January 10, 2025

### SPECIFICATIONS

#### PERFORMANCE

Weight: 1.8kg (4lb)  
Maximum Pressure: 10.2MPa (1500psi)  
Minimum Pressure: 0MPa  
Flow Coefficient CV = 40  
Temperature range: -30 C° to +60 C°  
Travel time (open to close): 0.7s  
Precise Full-range Flow-Control: 0-100 %

#### FEATURES

Ultra-compact Form Factor  
Powerful Brushless motor  
Lightweight Plastic Enclosure  
Full-range flow-control: 0-100 %  
Support common input (Analogue, i2C, PWM, etc.)  
Wireless / Bluetooth / IoT Capable  
Magnetic-sensor position feedback  
High and Low level dual micro-controller system

#### ELECTRICAL PROPERTIES

Input Voltage: 12.0V-14.8V  
Maximum current: 4.0A  
Sleep Current: 0.1A

#### VALVE PROPERTIES

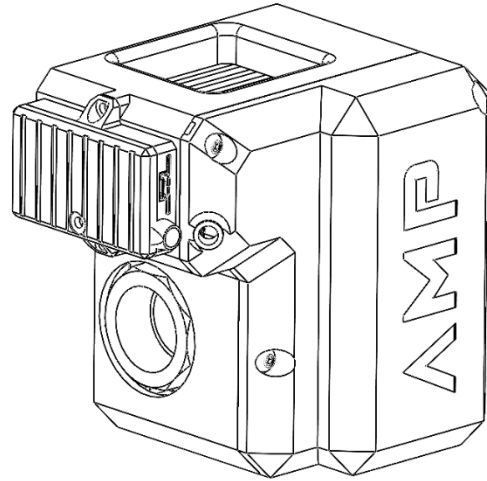
Carbon Steel Body  
Reinforced TFE Seats (RTFE)  
O-Ring Material: FKM  
Pyramidal Stem Seal Design  
Flow Control Element: Rotating Ball

#### INTERFACES

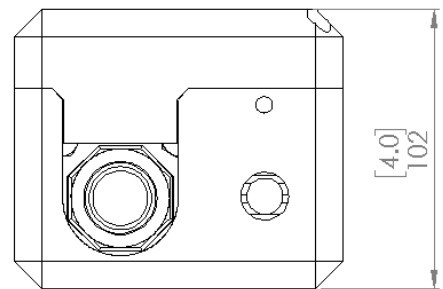
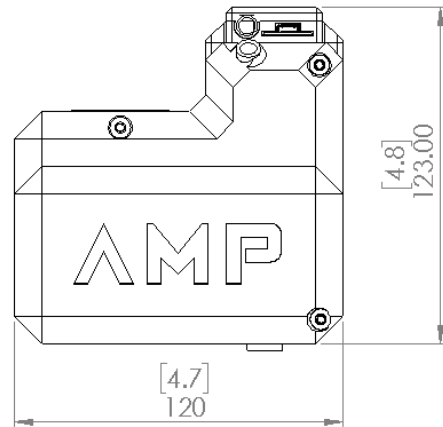
Inlet/Outlet: 3/4 NPT Female  
Power Port: XT30  
Control Port: 3-PIN JST (2.54mm)  
Diagnostic Input: USB (TYPE-C)

#### AVAILABLE UPGRADES (Contact us for more information)

- Upgraded seal materials
- Customized inlet/outlet ports
- Vented valve
- Customized firmware



ALL DIMENSIONS: [IN] MM



[info@fusionflight.com](mailto:info@fusionflight.com)  
Copyright 2025 FusionFlight. All Rights Reserved.

