

SPECIFICATION SHEET

JETQUAD

MODEL AB6

Jet-Powered VTOL UAS

February 12, 2025



SPECIFICATIONS

FEATURES

Precision Point Hover
High-Speed Cruise
Vertical Take-off and Landing
All-Weather / All-Terrain
Guided Waypoint Navigation
Full Auto Start-up / Shut-down
Ready-to-use out of the box

PHYSICAL PROPERTIES

Mass (Maximum Take-off):	132lb (60kg)
Mass (Dry):	53lb (24kg)
Mass (Payload):	35lb (16kg)
Mass (Fuel):	44lb (20kg)
Dimensions (L x W x H)	47in x 38in x 15in (1.2m x 1m x 0.4m)

PERFORMANCE

Total Thrust Output (max):	188lbf (840N)
Cruise Velocity (max):	250mph (110m/s)
Ascent Velocity (max):	67mph (30m/s)
Range (one-way with SATCOM)	63mi (100km)
Endurance (hover/ full-power cruise):	20min / 15min
Startup Altitude (Max):	1.2mi (2km)
Operating Altitude (Max):	6mi (10km)
Operating Temperature:	-20F to 100F (-5C to 40C)

POWER PLANT

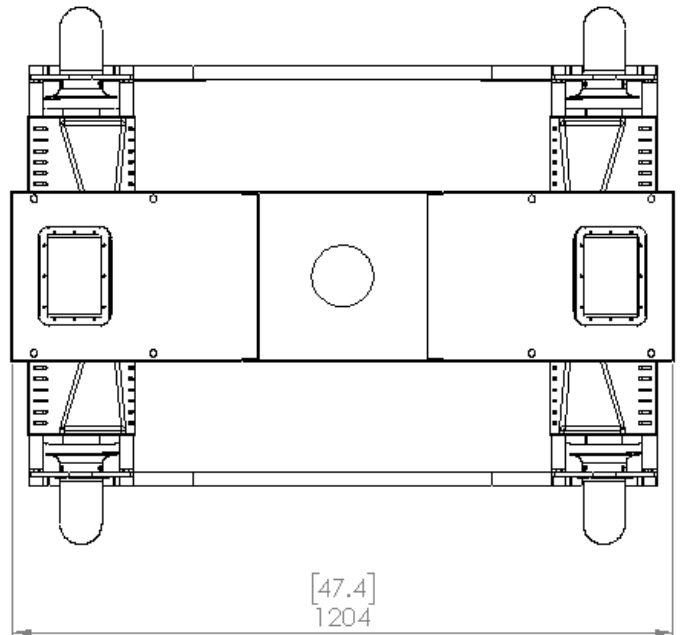
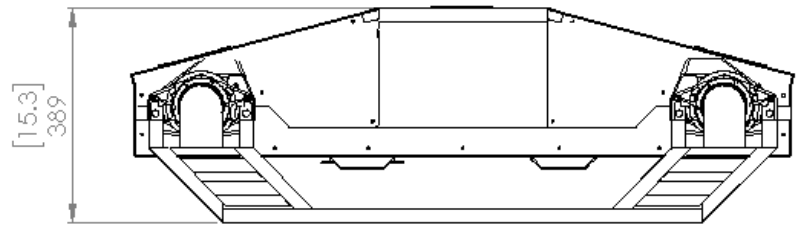
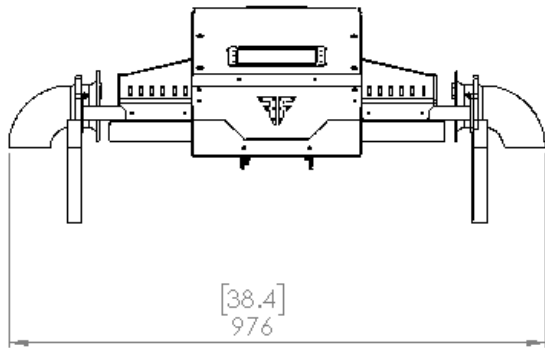
Propulsion:	4x Microturbine Jet-Engine
Control:	4x Thrust Vectoring Nozzles
Start-up time:	30sec
Fuel Type:	Heavy (Kerosene/Diesel/Jet-A)
Lubrication (mixed in fuel):	3% Turbo Oil
Turbine Rotational Rate (max):	130,000RPM
Fuel Flowrate (max power):	0.33Gal/min (1.3L/min)
Air Flowrate (max power):	140CFM (4125L/min)
Exhaust Temperature:	1022F (550C)
Maintenance Interval:	50Hrs
Noise Level (max):	100dB



Contact us: info@fusionflight.com
Copyright 2025 FusionFlight. All Rights Reserved.



ENGINEERING DRAWING



DIMENSIONS FORMAT: [IN] MM

INCLUDED IN KIT
(Comes with every kit)

5-Gal (20L) Fuel Tank
Quad-engine wired display
Detailed Manual

50km (30mi) Range Controller
Touch panel Telemetry Tablet
AC Charger (For Batteries)

AVAILABLE ADD-ONS
(Contact us for price)

Custom Payload mounts
Blended Wing Body Aero Package
10-Gal (40L) Fuel Tank

Range/SATCOM Upgrade
Gimbals/Cameras
Companion Computer



Contact us: info@fusionflight.com
Copyright 2025 FusionFlight. All Rights Reserved.

